

Overview

Introduction

HP provides a portfolio of professional-grade accessories that deliver an ideal mobile office designed to help you achieve your business goals, increase productivity and lower your costs. All HP accessories go through rigorous testing and are certified to work seamlessly with your HP Business Notebook. They are backed up by HP's world-class support.

HP docking solutions include a range of convenient expansion solutions that easily connect to your HP Business Notebook. Create an ideal desktop computing environment using ergonomic docking stations and stands that provide port replication and cable management, as well as enable future expandability.

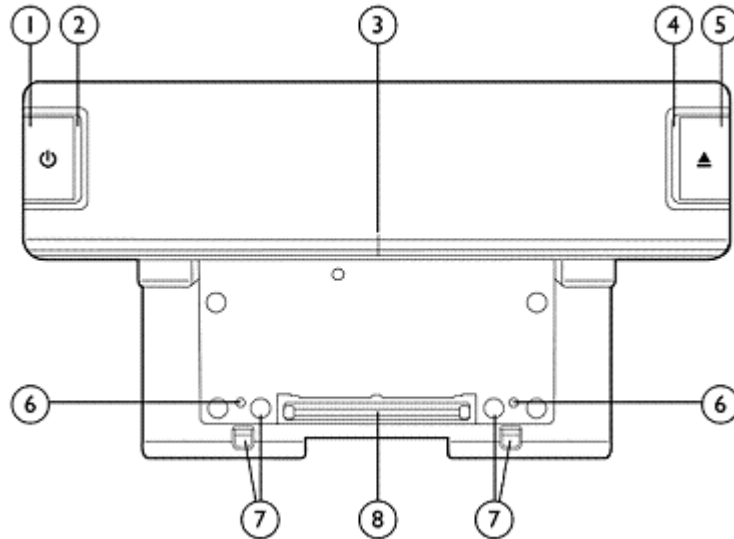
HP is committed to delivering the optimal mobile computing experience by offering industry-leading accessories for every mobile user, whether you are a frequent traveler or rarely leave your desk. Enjoy return on investment from these easy-to-use, easy-to-deploy, and easy-to-manage expansion solutions.

Models

HP 2008 120W Docking Station	KP080AA#xxx
HP 2008 150W Docking Station	KQ751AA#xxx
HP 2008 150W Advanced Docking Station	KP081AA#xxx
HP 2008 180W Advanced Docking Station	KQ752AA#xxx
HP Docking Station with Smart Adapter	EN488AA#xxx
HP Advanced Docking Station with Smart Adapter	EN489AA#xxx

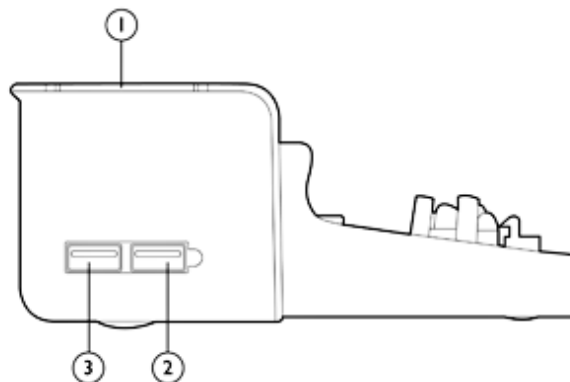
HP 2008 Docking Station

HP 2008 Docking Station



- | | |
|-------------------------------|------------------------------|
| 1. Power button | 5. Notebook eject button |
| 2. Power light | 6. Docking posts |
| 3. Visual alignment indicator | 7. Notebook eject mechanisms |
| 4. Docking light | 8. Docking connector |

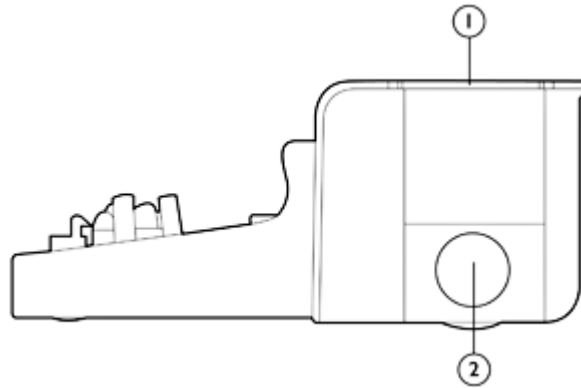
HP 2008 Docking Station Left-Side Components



- | | |
|---------------------------------|-----------------|
| 1. Power button and power light | 3. USB 2.0 port |
| 2. Powered USB 2.0 port | |

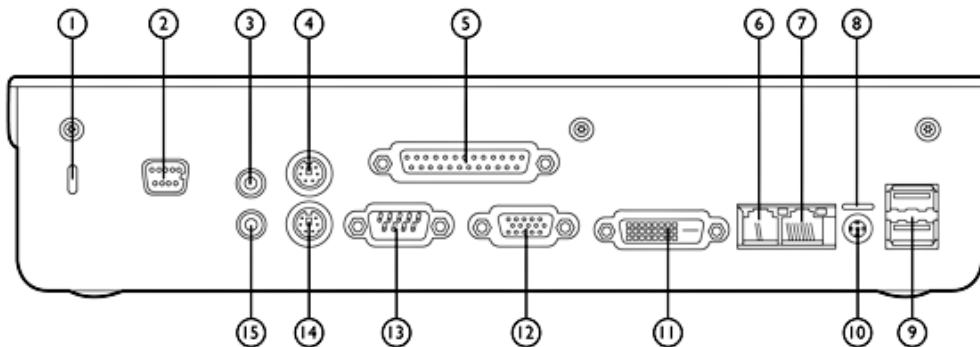
HP 2008 Docking Station Right-Side Components

HP 2008 Docking Station



1. Notebook eject button and docking light
2. Integrated cable lock slot (to connect HP Kensington cable lock)

HP 2008 Docking Station Rear Components



1. Security cable slot
2. Monitor stand port
3. Audio-out (headphone) jack
4. Mouse connector
5. Parallel port
6. RJ-11 (modem) jack
7. RJ-45 (network) jack
8. Power light
9. USB 2.0 ports
10. Power connector
11. Digital video (DVI) port
12. External monitor port
13. Serial port
14. Keyboard connector
15. Audio-in (microphone) jack

HP 2008 Docking Station

Key Benefits

Desktop convenience with full port replication capability in a space-saving design.

- Easy docking system provides port replication and cable management in one product.
- Four USB ports allow you to connect more peripherals to make you more productive.
- Optional integrated HP/Kensington Cable Lock allows you to secure your docking station and notebook with one lock.

AC adapter included

The HP 2008 Docking Station gives you an energy-efficient 120W Smart AC adapter for your Notebook PC or 150W Smart AC adapter for your Mobile Workstations that guards against power fluctuations with integrated surge protection. The HP Docking Station features the same protection with an energy-efficient 120W Smart AC adapter.

Standard Features

2 docking posts	Align and secure the computer for proper connection to the docking station
Docking connector	Connects the computer to the docking station
Visual alignment indicator	Helps you align the computer with the docking station for fast and easy docking
Power button and power light	Power indicators
Eject button and docking light	Ejects computer from docking station. Dock light is turned on when the computer is properly connected.
USB ports	4 USB 2.0 ports (1 powered)
Powered USB port	Allows you to connect to select USB powered devices as well as regular USB devices
Integrated cable lock slot	Supports the HP/Kensington Cable Lock, which secures the docking station and connected computer
Audio and Network connectors	Audio, Ethernet and Modem ports
Legacy connectors	Mouse, Keyboard, Serial and Parallel connectors
Other connectors	Monitor Stand, VGA and DVI-D ports. AC adapter connector with light
Smart Adapter	120W Smart AC Adapter or 150W Smart AC Adapter

Service and Support One-year limited warranty. Additional support is available 24 hours a day, seven days a week by phone as well as online support forms.

NOTE: [Certain restrictions and exclusions apply. Consult the HP Customer Support Center for details.](#)

Compatibility The HP Docking Station is compatible with HP Compaq 6300, 6510, 6515, 6530b, 6535b, 6710, 6715, 6720t, 6730b, 6735b, 6910, 6930p, 7400, 8200, 8400, 8510, 8710 and 9400 series Notebook PCs and HP Compaq 4200 and 4400 series Tablet PCs.

NOTE: [Some notebook models do not support the docking feature.](#)

NOTE: [DVI is not supported on the HP Compaq 6100, 6300 and 6500 series.](#)

NOTE: [Not all models are available in all regions.](#)

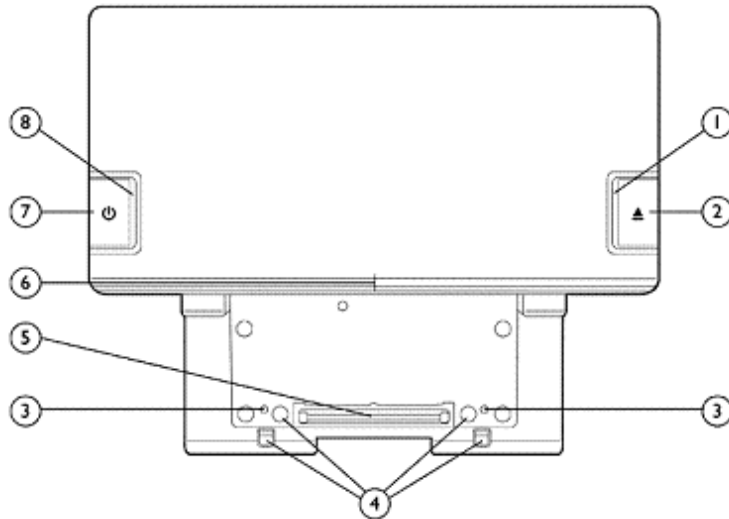
HP 2008 Docking Station

Specifications

Dimensions (H x W x D)	11.02 x 2.4 x 6.02 in (28.0 x 6.1 cm x 15.3 cm)	
Weight	2.24 lbs (1.02 kg)	
Power Supply (input)	Rated Voltage	100 to 240 V
	Rated Current	2.5A rms
	Line Frequency	50 – 60 Hz
Temperature	Operating	50° to 95° F (10° to 35° C)
	Non-operating	14° to 140° F (-10° to 60° C)
Relative Humidity	Operating/Non-condensing	10% to 90% relative humidity
	Non-operating	5% to 90% relative humidity, 101.6° F (38.7° C) maximum wet bulb temperature
Maximum Altitude	Operating	0 to 10,000 ft (0 to 3,048 m)
	Non-operating	0 to 30,000 ft (0 to 9,144 m)
Shock	Operating	10 G, 11 ms, half-sine
	Non-operating	60 G, 11 ms, half-sine
Vibration	Operating	0.5 G zero-to-peak, 10 to 500 Hz, 0.25 oct/min sweep rate
	Non-operating	1 G, zero-to-peak, 10 to 500 Hz, 0.5 oct/min sweep rate
Option Kit Contents	HP 2008 Docking Station, AC power adapter, documentation	

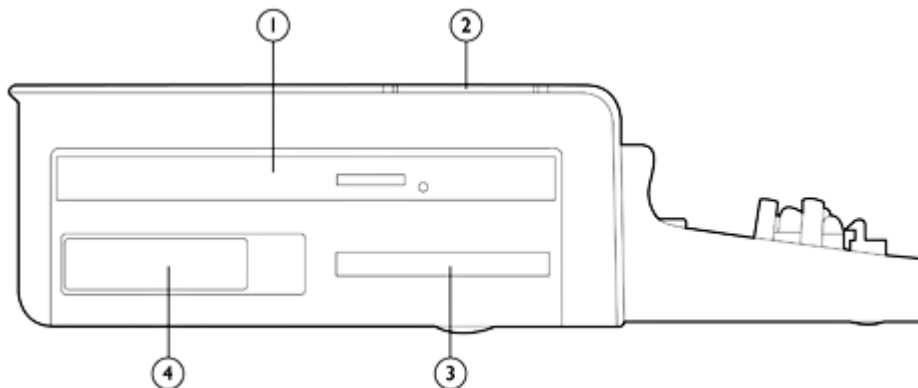
HP 2008 Advanced Docking Station

HP 2008 Advanced Docking Station



- | | |
|------------------------------|-------------------------------|
| 1. Docking light | 5. Docking connector |
| 2. Notebook eject button | 6. Visual alignment indicator |
| 3. Docking posts | 7. Power button |
| 4. Notebook eject mechanisms | 8. Power light |

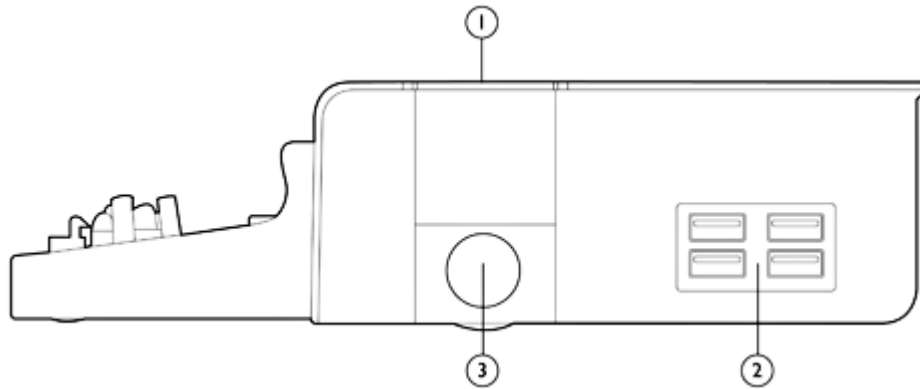
HP 2008 Advanced Docking Station Left-Side Components



- | | |
|---------------------------------|-----------------------------------|
| 1. SATA upgrade bay | 3. ExpressCard slot |
| 2. Power button and power light | 4. SATA upgrade bay release lever |

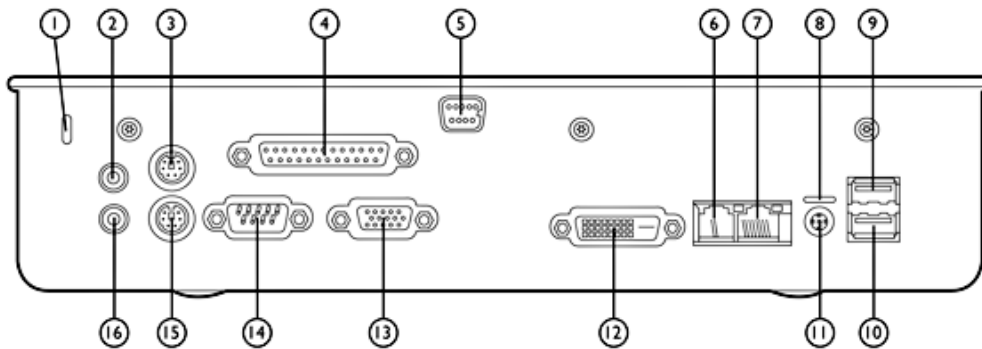
HP 2008 Advanced Docking Station Right-Side Components

HP 2008 Advanced Docking Station



- 1. Notebook eject button
- 2. USB ports
- 3. Integrated cable lock slot (to connect HP Kensington cable lock)

HP 2008 Advanced Docking Station Rear Components



- 1. Security cable slot
- 2. Audio-out (headphone) jack
- 3. Mouse connector
- 4. Parallel port
- 5. Monitor stand port
- 6. RJ-11 (modem) jack
- 7. RJ-45 (network) jack
- 8. Power light
- 9. Powered USB 2.0 port
- 10. USB 2.0 port
- 11. Power connector
- 12. Digital video (DVI) port
- 13. External monitor port
- 14. Serial port
- 15. Keyboard connector
- 16. Audio-in (microphone) jack

HP 2008 Advanced Docking Station

Key Benefits

Robust desktop replacement solution for your mobile office with advanced features for future expansion.

- Easy docking system provides port replication and cable management, plus expandability through an integrated SATA upgrade bay and ExpressCard slot - all in one product.
- Six USB ports allow you to connect more peripherals to make you more productive.
- Optional integrated HP/Kensington Cable Lock allows you to secure your docking station, notebook and integrated SATA drive with one lock.

AC adapter included

The HP 2008 Advanced Docking Station with Smart Adapter features an energy-efficient 150W (Notebook PC) or 180W (Mobile WS) Smart AC adapter that guards against power fluctuations with integrated surge protection. The 180W Smart AC adapter that can be leveraged across all HP Business Notebooks and docking stations, providing a cost-effective solution for reducing power consumption and equipment costs.

Standard Features

2 docking posts	Align and secure the computer for proper connection to the docking station
Docking connector	Connects the computer to the docking station
Visual alignment indicator	Helps you align the computer with the docking station for fast and easy docking
Power button and power light	Power indicators
Eject button and docking light	Ejects computer from docking station. Dock light is turned on when the computer is properly connected.
USB ports	6 USB 2.0 ports (1 powered)
Powered USB port	Allows you to connect to select powered USB as well as regular USB devices
Integrated cable lock slot	Supports the HP/Kensington Cable Lock, which secures the docking station, connected computer and the optional SATA upgrade drive
Audio and Network connectors	Audio, Ethernet and Modem ports
Legacy connectors	Mouse, Keyboard, Serial and Parallel connectors
Other connectors	Monitor Stand, VGA and DVI-D ports. AC adapter connector with light
Upgrade bay	Supports all HP upgrade bay hard drives and optical drives for additional local storage capabilities
ExpressCard slot	Supports ExpressCard technologies for future expandability
Smart Adapter	150W or 180W Smart AC Adapter

Service and Support	One-year limited warranty. Additional support is available 24 hours a day, seven days a week by phone as well as online support forms. NOTE: Certain restrictions and exclusions apply. Consult the HP Customer Support Center for details.
----------------------------	---

Compatibility	The HP Docking Station is compatible with HP Compaq 6300, 6510, 6515, 6530b, 6535b, 6710, 6715, 6720t, 6730b, 6735b, 6910, 6930p, 7400, 8200, 8400, 8510, 8710 and 9400 series Notebook PCs and HP Compaq 4200 and 4400 series Tablet PCs. NOTE: Some notebook models do not support the docking feature. NOTE: DVI is not supported on the HP Compaq 6100 and 6300 series. NOTE: Not all models are available in all regions.
----------------------	--

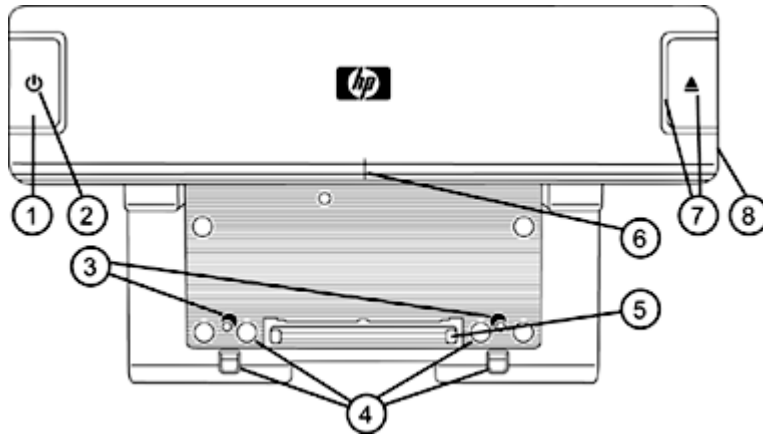
HP 2008 Advanced Docking Station

Specifications

Dimensions (H x W x D)	11.02 x 2.4 x 9.56 in (28.0 x 6.1 cm x 24.3 cm)	
Weight	3.93 lbs (1.78 kg)	
Power Supply (input)	Rated Voltage	100 to 240 V
	Rated Current	2.5A rms
	Line Frequency	50 – 60 Hz
Temperature	Operating	50° to 95° F (10° to 35° C)
	Non-operating	14° to 140° F (-10° to 60° C)
Relative Humidity	Non-operating	5% to 90% relative humidity, 101.6° F (38.7° C) maximum wet bulb temperature
Maximum Altitude	Operating	0 to 10,000 ft (0 to 3,048 m)
	Non-operating	0 to 30,000 ft (0 to 9,144 m)
Shock	Operating	10 G, 11 ms, half-sine
	Non-operating	60 G, 11 ms, half-sine
Vibration	Operating	0.5 G zero-to-peak, 10 to 500 Hz, 0.25 oct/min sweep rate
	Non-operating	1 G, zero-to-peak, 10 to 500 Hz, 0.5 oct/min sweep rate
Option Kit Contents	HP 2008 Advanced Docking Station, AC power adapter documentation	

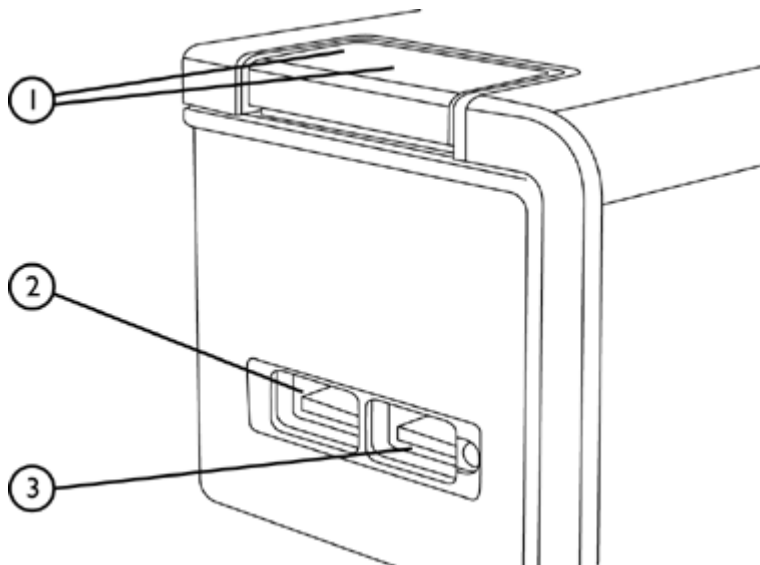
HP Docking Station

HP Docking Station



- | | |
|------------------------------|---|
| 1. Power button | 5. Docking connector |
| 2. Power light | 6. Visual alignment indicator |
| 3. Docking posts | 7. Notebook eject button and docking light |
| 4. Notebook eject mechanisms | 8. Integrated cable lock slot (to connect HP Kensington cable lock) |

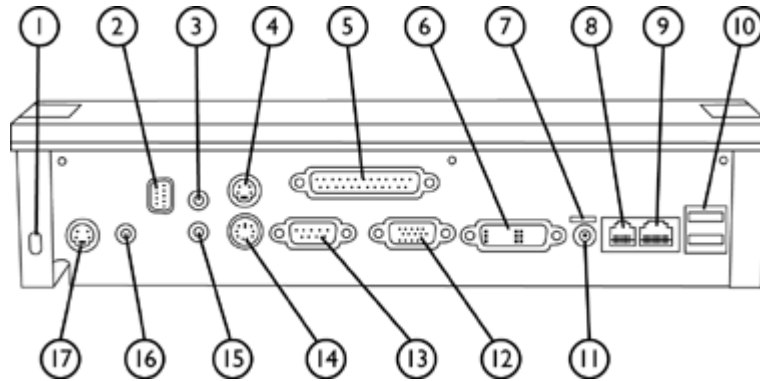
HP Docking Station Left-Side Components



- | | |
|---------------------------------|-------------------------|
| 1. Power button and power light | 3. Powered USB 2.0 port |
| 2. USB 2.0 port | |

HP Docking Station

HP Docking Station Rear Components



1. Security cable slot
2. Monitor stand port
3. Audio-out jack
4. Mouse Connector
5. Parallel Port
6. Digital Video (DVI-D) port
7. Power light
8. RJ-11 (modem) jack
9. RJ-45 (network) jack
10. USB 2.0 ports (2)
11. Power connector
12. External monitor port
13. Serial port
14. Keyboard connector
15. Audio-in jack
16. Composite video port
17. S-Video jack

Key Benefits

Desktop convenience with full port replication capability in a space-saving design.

- Easy docking system provides port replication and cable management in one product.
- Four USB ports allow you to connect more peripherals to make you more productive.
- Optional integrated HP/Kensington Cable Lock allows you to secure your docking station and notebook with one lock.

AC adapter included

The HP 2008 Docking Station gives you an energy-efficient 120W Smart AC adapter for your Notebook PC or 150W Smart AC adapter for your Mobile Workstations that guards against power fluctuations with integrated surge protection. The HP Docking Station features the same protection with an energy-efficient 120W Smart AC adapter.

HP Docking Station

Standard Features

2 docking posts	Align and secure the computer for proper connection to the docking station
Docking connector	Connects the computer to the docking station
Visual alignment indicator	Helps you align the computer with the docking station for fast and easy docking
Power button and power light	Power indicators
Eject button and docking light	Ejects computer from docking station. Dock light is turned on when the computer is properly connected.
USB ports	4 USB 2.0 ports (1 powered)
Powered USB port	Allows you to connect to select USB devices such as the HP External MultiBay II as well as regular USB devices
Integrated cable lock slot	Supports the HP/Kensington Cable Lock, which secures the docking station and connected computer
Audio and Network connectors	Audio, Ethernet and Modem ports
Legacy connectors	Mouse, Keyboard, Serial and Parallel connectors
Other connectors	S-Video, Monitor Stand, VGA and DVI-D ports. AC adapter connector with light
Smart Adapter	120W Smart AC Adapter

Service and Support	One-year limited warranty. Additional support is available 24 hours a day, seven days a week by phone as well as online support forms. NOTE: Certain restrictions and exclusions apply. Consult the HP Customer Support Center for details.
----------------------------	---

Compatibility	The HP Docking Station is compatible with HP Compaq 6300, 6510, 6515, 6530b, 6535b, 6710, 6715, 6720t, 6730b, 6735b, 6910, 6930p, 7400, 8200, 8400, 8510, 8710 and 9400 series Notebook PCs and HP Compaq 4200 and 4400 series Tablet PCs. NOTE: Some notebook models do not support the docking feature. NOTE: DVI is not supported on the HP Compaq 6100, 6300 and 6500 series. NOTE: Not all models are available in all regions.
----------------------	--

Specifications

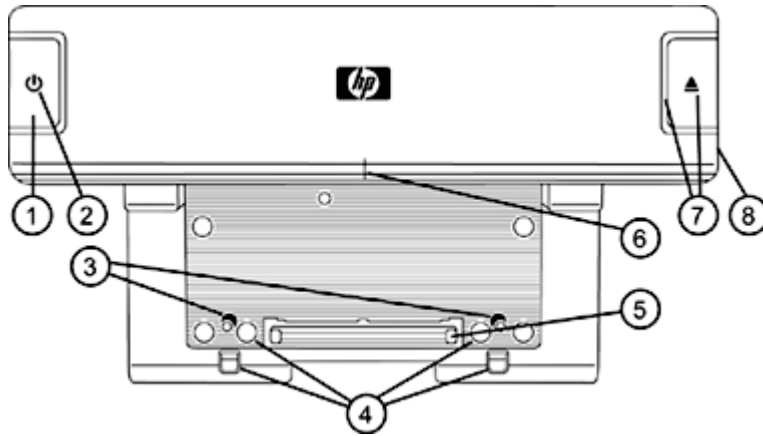
Dimensions (H x W x D)	11.02 x 2.4 x 6.02 in (28.0 x 6.1 cm x 15.3 cm)	
Weight	2.24 lbs (1.02 kg)	
Power Supply (input)	Rated Voltage	100 to 240 V
	Rated Current	2.5A rms
	Line Frequency	50 – 60 Hz
Temperature	Operating	50° to 95° F (10° to 35° C)
	Non-operating	14° to 140° F (-10° to 60° C)
Relative Humidity	Operating/Non-condensing	10% to 90% relative humidity
	Non-operating	5% to 90% relative humidity, 101.6° F (38.7° C) maximum wet bulb temperature
Maximum Altitude	Operating	0 to 10,000 ft (0 to 3,048 m)
	Non-operating	0 to 30,000 ft (0 to 9,144 m)

HP Docking Station

Shock	Operating	10 G, 11 ms, half-sine
	Non-operating	60 G, 11 ms, half-sine
Vibration	Operating	0.5 G zero-to-peak, 10 to 500 Hz, 0.25 oct/min sweep rate
	Non-operating	1 G, zero-to-peak, 10 to 500 Hz, 0.5 oct/min sweep rate
Option Kit Contents	HP Docking Station, AC power adapter, documentation	

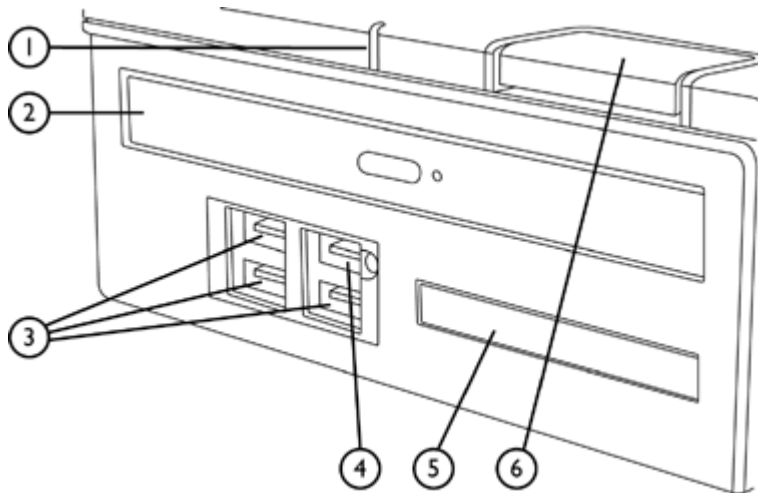
HP Advanced Docking Station

HP Advanced Docking Station



- | | |
|------------------------------|---|
| 1. Power button | 5. Docking connector |
| 2. Power light | 6. Visual alignment indicator |
| 3. Docking posts | 7. Notebook eject button and docking light |
| 4. Notebook eject mechanisms | 8. Integrated cable lock slot (to connect HP Kensington cable lock) |

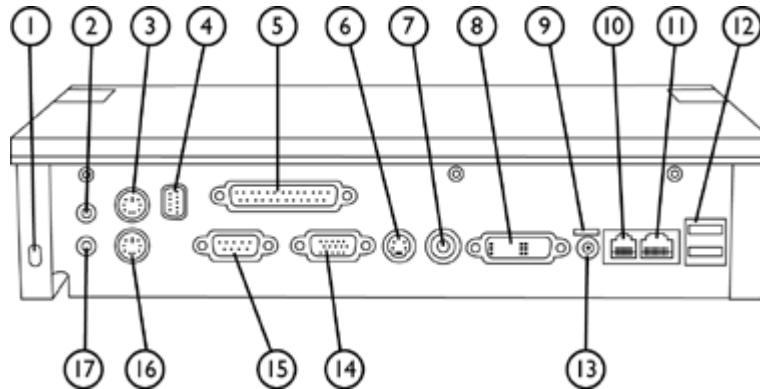
HP Advanced Docking Station Left-Side Components



- | | |
|----------------------|---------------------------------|
| 1. MultiBay II light | 4. Powered USB 2.0 port |
| 2. MultiBay II | 5. ExpressCard slot |
| 3. USB 2.0 ports (3) | 6. Power button and power light |

HP Advanced Docking Station

HP Advanced Docking Station Rear Components



1. Security cable slot
2. Audio-out jack
3. Mouse connector
4. Monitor stand port
5. Parallel port
6. S-Video jack
7. Composite video port
8. Digital Video (DVI-D) port
9. Power light
10. RJ-11 (modem) jack
11. RJ-45 (network) jack
12. USB 2.0 ports (2)
13. Power connector
14. External monitor port
15. Serial port
16. Keyboard connector
17. Audio-in jack

Key Benefits

Robust desktop replacement solution for your mobile office with advanced features for future expansion.

- Easy docking system provides port replication and cable management, plus expandability through an integrated MultiBay II expansion bay and ExpressCard slot - all in one product.
- Six USB ports allow you to connect more peripherals to make you more productive.
- Optional integrated HP/Kensington Cable Lock allows you to secure your docking station, notebook and integrated MultiBay II drive with one lock.

AC adapter included

The HP Advanced Docking Station with Smart Adapter features a new energy-efficient 135W Smart AC adapter that guards against power fluctuations with integrated surge protection. The 135W Smart AC adapter can be leveraged across all HP Business Notebooks and docking stations, providing a cost-effective solution for reducing power consumption and equipment costs.

HP Advanced Docking Station

Standard Features

2 docking posts	Align and secure the computer for proper connection to the docking station
Docking connector	Connects the computer to the docking station
Visual alignment indicator	Helps you align the computer with the docking station for fast and easy docking
Power button and power light	Power indicators
Eject button and docking light	Ejects computer from docking station. Dock light is turned on when the computer is properly connected.
USB ports	6 USB 2.0 ports (1 powered)
Powered USB port	Allows you to connect to select USB devices such as the HP External MultiBay II as well as regular USB devices
Integrated cable lock slot	Supports the HP/Kensington Cable Lock, which secures the docking station, connected computer and the optional MultiBay II drive
Audio and Network connectors	Audio, Ethernet and Modem ports
Legacy connectors	Mouse, Keyboard, Serial and Parallel connectors
Other connectors	S-Video, Monitor Stand, VGA and DVI-D ports. AC adapter connector with light
MultiBay II slot	Supports all 9.5mm HP MultiBay II drives for additional local storage capabilities
ExpressCard slot	Supports ExpressCard technologies for future expandability
Smart Adapter	135W Smart AC Adapter

Service and Support	One-year limited warranty. Additional support is available 24 hours a day, seven days a week by phone as well as online support forms. NOTE: Certain restrictions and exclusions apply. Consult the HP Customer Support Center for details.
---------------------	---

Compatibility	The HP Docking Station is compatible with HP Compaq 6300, 6510, 6515, 6530b, 6535b, 6710, 6715, 6720t, 6730b, 6735b, 6910, 6930p, 7400, 8200, 8400, 8510, 8710 and 9400 series Notebook PCs and HP Compaq 4200 and 4400 series Tablet PCs. NOTE: Some notebook models do not support the docking feature. NOTE: DVI is not supported on the HP Compaq 6100 and 6300 series. NOTE: Not all models are available in all regions.
---------------	--

HP Advanced Docking Station

Specifications

Dimensions (H x W x D)	11.02 x 2.4 x 9.56 in (28.0 x 6.1 cm x 24.3 cm)	
Weight	3.93 lbs (1.78 kg)	
Power Supply (input)	Rated Voltage	100 to 240 V
	Rated Current	2.5A rms
	Line Frequency	50 – 60 Hz
Temperature	Operating	50° to 95° F (10° to 35° C)
	Non-operating	14° to 140° F (-10° to 60° C)
Relative Humidity	Non-operating	5% to 90% relative humidity, 101.6° F (38.7° C) maximum wet bulb temperature
Maximum Altitude	Operating	0 to 10,000 ft (0 to 3,048 m)
	Non-operating	0 to 30,000 ft (0 to 9,144 m)
Shock	Operating	10 G, 11 ms, half-sine
	Non-operating	60 G, 11 ms, half-sine
Vibration	Operating	0.5 G zero-to-peak, 10 to 500 Hz, 0.25 oct/min sweep rate
	Non-operating	1 G, zero-to-peak, 10 to 500 Hz, 0.5 oct/min sweep rate
Option Kit Contents	HP Advanced Docking Station, AC power adapter, documentation	

Related Options

HP Upgrade Bay SATA 250-GB 5400 rpm Hard Drive	AK868AA
HP Upgrade Bay SATA DVD+/-RW SuperMulti DL LightScribe Drive	AK869AA
HP 8-Cell Extended Life Battery	PB993A
HP MBII DVD-ROM Drive	PA849A
HP Extended Life Battery	AJ359AA
HP MBII SuperMulti (DL) DVD+/-RW Drive	PA851A

© Copyright 2009 Hewlett-Packard Development Company, L.P.

The information contained herein is subject to change without notice.

The only warranties for HP products and services are set forth in the express warranty statements accompanying such products and services. Nothing herein should be construed as constituting an additional warranty. HP shall not be liable for technical or editorial errors or omissions contained herein.